



Seatpost Installation Instructions



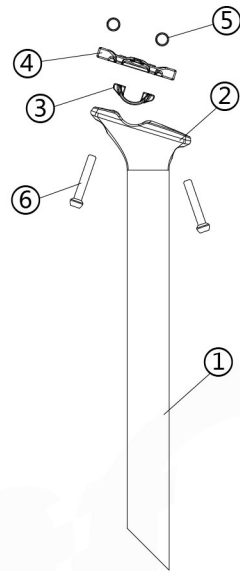
說明

感謝購買Controltech產品。請詳讀此安裝說明書並遵循正確使用方式，若沒有遵從說明書警告事項而導致產品損壞則不再保固範圍內。

保固

從購買日起Controltech提供兩年產品保固。消費者請保留產品保證書或相關的購買證明(如發票或收據)。產品在保固期內有需要維修服務時，煩請提出保證書或相關購買證明。

Controltech保固不包括錯誤或惡意之損壞，也不包含跳躍摔倒降落衝擊或其他的碰撞，以及忽視定期保養和錯誤零件組裝。另外，私自改裝、增加或替換產品上的零件，是不包含在保固內。自然的損壞也不包含在保固範圍內。

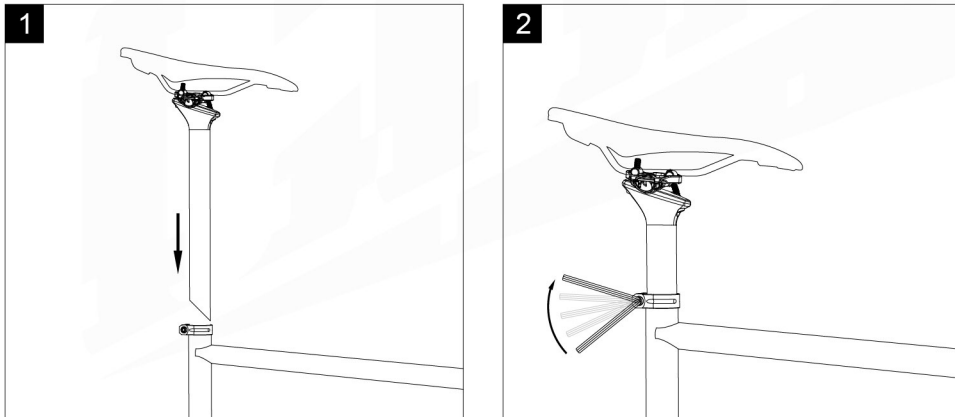


產品名稱 / 型號

Controltech Seatpost

零件名稱

- ① 座管身x1。
- ② 底座x1。
- ③ 鋁套管x1。
- ④ 鋁頭上蓋x1。
- ⑤ 圓柱形螺帽x2。
- ⑥ M6螺絲x2。



安裝說明

1. 組裝前請確定座桿直徑與車架座管直徑是否吻合。
2. 檢查產品外觀是否整潔或有任何粗糙瑕疵，為避免傷及產品。有的話請拿到經銷商修理或將瑕疵移除。
3. 請確認座管的螺絲有上潤滑油。
4. 將座管插入車架座管，並調整至適當高度(座管最低插入深度請依產品安全刻度標示)。
5. 將螺絲鎖緊(鎖固扭力請依產品標示)。





Seatpost Installation Instructions

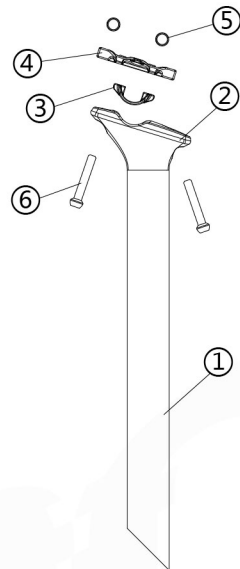


Thank you for choosing this Controltech. With proper care and installation, it will give you trouble-free, enjoyable use.

In order to maximize the safe enjoyment of this product, you should read and carefully follow the following installation instructions and warnings. Failure to do so could result in unexpected wear and/or failure, possibly resulting in injury.

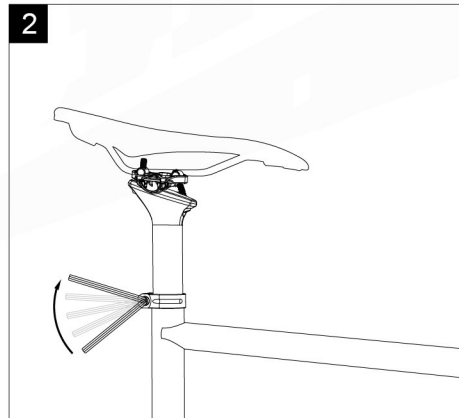
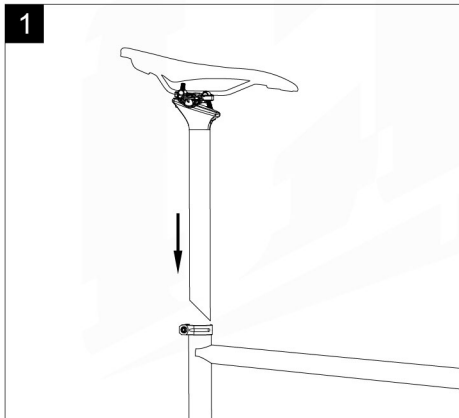
Controltech warrants this product to be free from defects in materials and workmanship for a period of two years from the date of purchase when purchased from an authorized Controltech dealer. This warranty is extended only to the original owner of the product and is not transferable. Proof of purchase is required for any warranty service, so be sure to keep your receipt.

This warranty does not cover cosmetic or structural damage arising from misuse or abuse, including damage caused by crashes, jumping and landing, front end impact, falls or any other collision, owner neglect of regular maintenance, improper installation of parts and accessories. Controltech makes no warranty if modifications, changes, additions or substitutions are made to any components. Wear from normal use or exposure to environmental elements is not covered by this warranty. Controltech makes no warranty against any incidental or consequential damage to bike or parts, or rider injury caused by defects as covered in this warranty.



Components

- ① Seatpost Shaft x1
- ② Seatpost Head x1
- ③ Lower Clamp x1
- ④ Upper Clamp x1
- ⑤ Cylindrical Nuts x2
- ⑥ M6 Clamp Bolt x2



Seatpost Installation Instructions:

1. Please make certain that your seat post's diameter matches the inside diameter (I.D.) of your frame's seat tube before starting the installation process. If it matches, please continue to the next steps.
2. Remove the existing seatpost and/or saddle, if necessary.
3. Remove the saddle clamp bolt and disassemble the clamp parts. Lubricate all the bolt threads and the underside of the bolt head with a high-quality grease.
4. Reassemble the lubricated parts, leaving the bolt threaded halfway through the nut.
5. Place the saddle's rails into the lower half (cradle) of the clamp. Turn the upper half of the clamp so that it fits onto the tops of the rails.
6. Tighten the clamp to the correct torque. Please follow the suggestion of torque range on the seatpost. Be careful not to tighten beyond these maximum limits, as damage to both the seatpost and saddle rails could result.
7. Check that the installed seatpost and saddle do not rotate or slip when pressure is applied to them. Make sure that the ridges inside the clamp are matched against each other, assuring a slip-resistant connection.





Hex Seatpost Installation Instructions



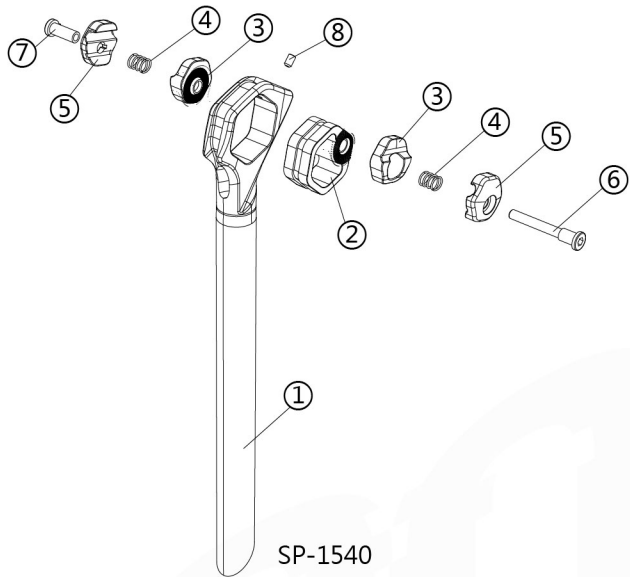
說明

感謝購買Controltech產品。請詳讀此安裝說明書並遵循正確使用方式，若沒有遵從說明書警告事項而導致產品損壞則不再保固範圍內。

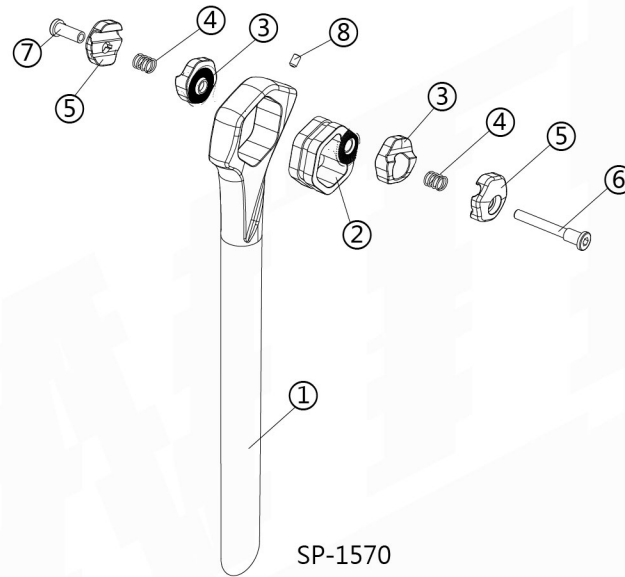
保固

從購買日起Controltech提供兩年產品保固。消費者請保留產品保證書或相關的購買證明(如發票或收據)。產品在保固期內有需要維修服務時，煩請提出保證書或相關購買證明。

Controltech保固不包括錯誤或惡意之損壞，也不包含跳躍摔倒降落衝擊或其他的碰撞，以及忽視定期保養和錯誤零件組裝。另外，私自改裝、增加或替換產品上的零件，是不包含在保固內。自然的損壞也不包含在保固範圍內。



SP-1540



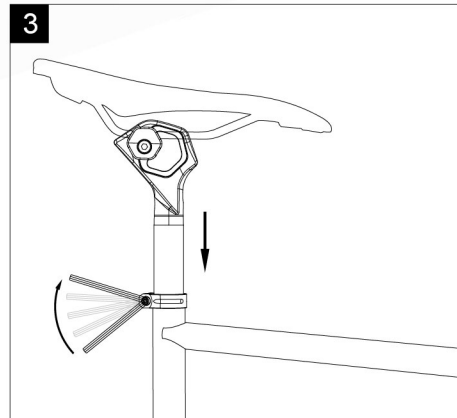
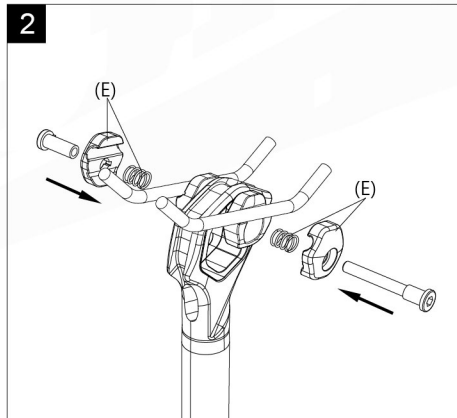
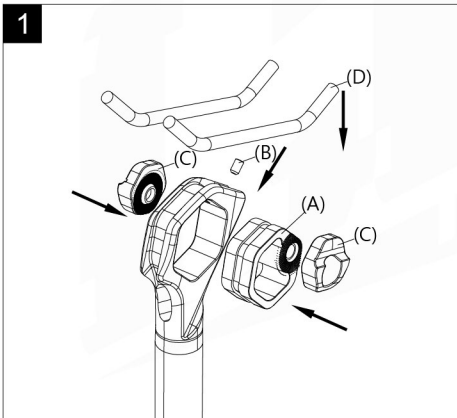
SP-1570

產品名稱 / 型號

Controltech Hex Seatpost / SP-1540_SP-1570

零件名稱

- ① 座管x1
- ② 六角內襯x2
- ③ 內蓋x2
- ④ 彈簧x2
- ⑤ 外蓋x2
- ⑥ 快拆螺絲x1
- ⑦ 快拆螺母x1
- ⑧ 指腹螺絲x1



安裝說明

1. 組裝前請確定座桿直徑與車架座管直徑是否吻合。
2. 安裝前檢查產品外觀是否整潔或有任何粗糙瑕疵，為避免傷及產品。有的話請聯繫經銷商或車店。
3. 請先確認所需的Offset，再將A放進座管頭內。
- 3-1. 鎖入B指腹螺絲，最大扭力值3Nm。
4. 依序使用螺絲及螺母組裝C內蓋、D坐墊、E外蓋及彈簧，最大扭力值12Nm。
5. 將座管插入車架座管，並調整至適當高度(座管最低插入深度請依產品安全刻度線標示)。
6. 將螺絲鎖緊(鎖固扭力請依產品標示)。





Hex Seatpost Installation Instructions

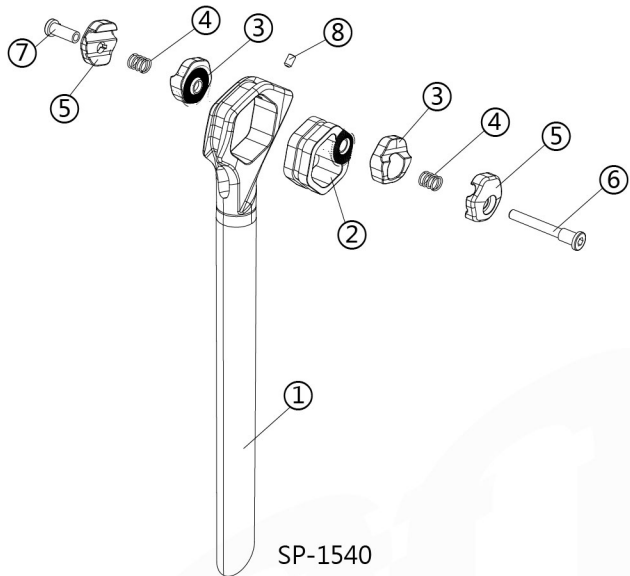


Thank you for choosing this Controltech. With proper care and installation, it will give you trouble-free, enjoyable use.

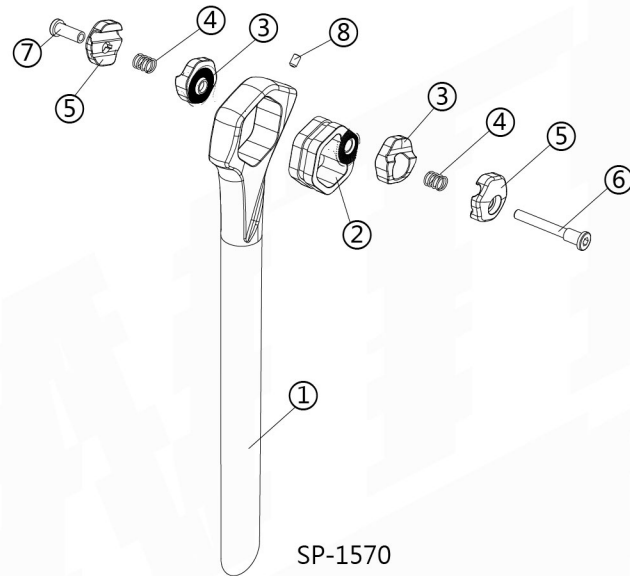
In order to maximize the safe enjoyment of this product, you should read and carefully follow the following installation instructions and warnings. Failure to do so could result in unexpected wear and/or failure, possibly resulting in injury.

Controltech warrants this product to be free from defects in materials and workmanship for a period of two years from the date of purchase when purchased from an authorized Controltech dealer. This warranty is extended only to the original owner of the product and is not transferable. Proof of purchase is required for any warranty service, so be sure to keep your receipt.

This warranty does not cover cosmetic or structural damage arising from misuse or abuse, including damage caused by crashes, jumping and landing, front end impact, falls or any other collision, owner neglect of regular maintenance, improper installation of parts and accessories. Controltech makes no warranty if modifications, changes, additions or substitutions are made to any components. Wear from normal use or exposure to environmental elements is not covered by this warranty. Controltech makes no warranty against any incidental or consequential damage to bike or parts, or rider injury caused by defects as covered in this warranty.



SP-1540



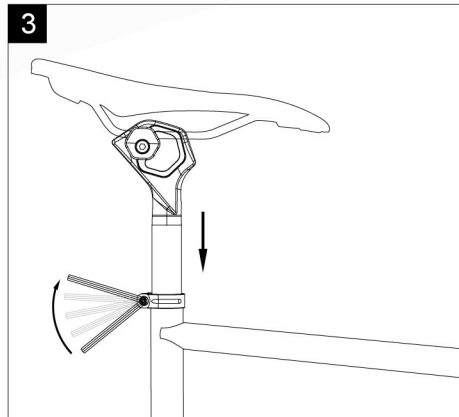
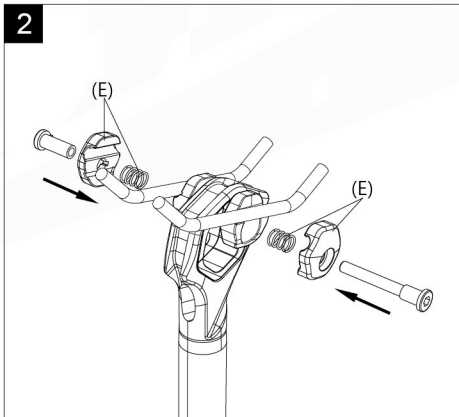
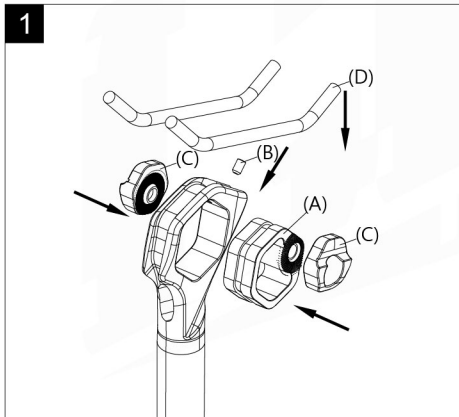
SP-1570

Model name / Model no.

Controltech Hex Seatpost / SP-1540_SP-1570

Part

- ① Seatpost Shaft x1
- ② Setback adjustable Hex x1
- ③ Cap Inner x2
- ④ Spring x2
- ⑤ Cap Outer x2
- ⑥ Rail Clamp bolt x1
- ⑦ Rail Clamp nut x1
- ⑧ Set Screw x1



Installation Instructions:

1. Please ensure your seat post diameter matches the inner diameter (I.D.) of your seat tube before installation.
2. Inspect the product for visual defectives before installation and please contact the dealer or distributor if any.
3. Decide the setback that you need and insert Setback adjustable Hex (A) into the shaft bore
3. Tighten the set screw (B) by torque 3Nm.
4. Assemble the (C)inner cap, (E)outer cap and spring with (D)saddle and tighten the rail clamp bot and nut by torque 12Nm.
5. Insert the seatpost assembly to the seat tube following the minimum insert mark and adjust to proper height.
6. Tighten the seatpost clamp by the right torque.

